

Datasheet QB06-SPC

Spool Piece

Principle

Pipe with flanges and integrates Density, Massflow and sampling point

Description

Model SPC is designed to fit the piping of the customer and to offer a connection to our Ultrasonic Density Probe, Thermal Massflow Probe or/and Sampling Valve. Additional sensors can be pre-mounted, like pressure and conductivity sensors.

The pipe can be constructed from different steel types and in all sizes and up to 80 bar, from DN50 up to DN2000. Optionally, we offer PU or ceramic lining.



The sensors are flush mounted and does not wear for many years.

Features

- Flush mounted sensors, mounting from outside to inside or inside to outside.
- Leakage free
- O-rings and packing
- Easy installation, pre-installed from factory
- Various materials and lining

Specification

- DN50 minimum
- Temperature range: 0-55°C or 0-110°C
- With fixed transmitters, see picture

Mounting

- Between two flanges in pipe. Length 350-600 mm or according to specification client
- Sensor at 4:30 pm o'clock in horizontal lines
- Just after the pump for density and 5xD of last obstruction and 3xD before next obstruction for flow meter

Engineering specifications

Make: Arenal PCS BV
Part.nr: QB063-SPC-ND0200-PN16-PU (example)
SN: 117...
Spool piece includes:
- One port for QP014-UDP-SPC-SIC

- One port for QP654-TMP
- One 2" Male port for sampling valve, 1.1/4" valve included
- Lining polyurethane, red
- Tagplate, SS316
- Lugs on top of both flanges

The spool piece shall be mounted between two flanges of the customer.

- Material : coated steel
- Color: White
- Nominal Diameter: ND0200 or 8"
- Pressure Norm: PN16 or 150#
- Length: 600 mm
- Weight: approximately 20 kg
- Flat face flanges

All spool pieces are made according to standard dimension from table.

Product variations

QB06A-SPC-B-C-D-E-F

A – the amount of measuring ports, between 1..4. Example:

A=1: One measuring port for density

A=2: Two ports for Massflow

A=3: Three ports for Massflow and sampling valve

B – Nominal diameter, between DN50...DN2000. Example:

B=ND0150 (equals to 6")

C – Pressure Norm, between 6...80 bar. Example:

C=PN16 (equals 150#)

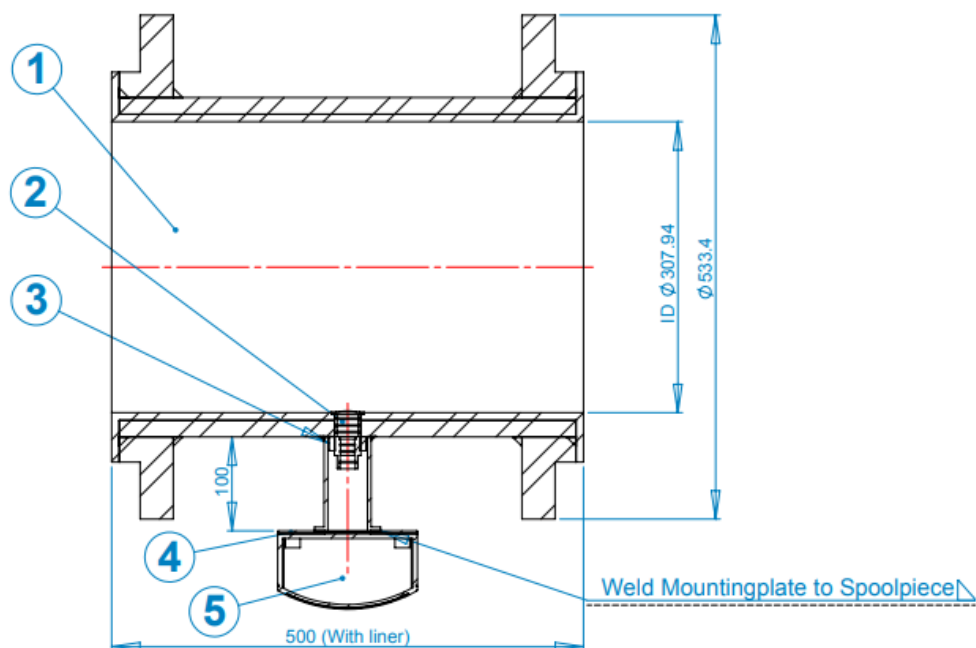
D – Material of the pipe, example:

D=SS316

E – Lining information, like PU or ceramic coating

Dimensional drawing

Example: QB061-SPC-ND0350-PN16-PU



Nominal Diameter according to ANSI B16.5 Class 150 LBS		ID	RF-OD	OD	PCD	Bolt Hole Size	Bolts #
		d1	d2	d3	d4	d5	d6
40	1,5"	44	73	150	110	16	4
50	2"	55	51	152	121	19	4
65	2,5"	66	105	178	140	19	4
80	3"	78	127	230	152	19	8
100	4"	102,4	157	255	191	19	8
125	5"	128,3	186	280	216	22	8
150	6"	154,2	216	305	241	22	8
200	8"	202,7	270	355	298	22	12
250	10"	254,5	324	406	362	25	12
300	12"	304,8	381	482	432	25	12
350	14"	336,5	413	532	476	29	12
400	16"	387,3	470	596	540	29	16
450	18"	438,1	533	634	578	32	16
500	20"	488,9	584	700	635	32	20
600	24"	590,5	692	812	749	35	20
650	26"	641,4	749	870	800	35	24
700	28"	692,2	800	926	857	35	28
750	30"	743	857	984	914	35	28
800	32"	793,8	914	1060	978	41	28

Pipes size does not limit the suitability of our technology.

Any pipe can be made. A drawing for approval will be made.

Pricing reference, validity until 2020-Q4. Prices in Euro, excl. VAT, EXW

Nominal Diameter according to DIN EN-1092-1:2002 type 11 PN16		QB061 Slurry Density		QB062 Slurry Massflow		QB063 Additional sampling valve	
		FF length: 350 mm		FF length: 600 mm		FF length: 600 mm	
		No lining	PU lining	No lining	PU lining	No lining	PU lining
40	1,5"	Ask for possibilities					
50	2"	1920	N/A	2000	N/A	2200	N/A
65	2,5"	1920	N/A	2000	N/A	2200	N/A
80	3"	1920	N/A	2000	N/A	2200	N/A
100	4"	2040	2550	2080	2600	2280	2800
125	5"	2080	2600	2160	2700	2360	2900
150	6"	2160	2700	2240	2800	2440	3000
200	8"	2320	2900	2400	3000	2600	3200
250	10"	2480	3100	2560	3200	2760	3400
300	12"	2640	3300	2720	3400	2920	3600
350	14"	2800	3500	2880	3600	3080	3800
400	16"	2960	3700	3040	3800	3240	4000
450	18"	3120	3900	3200	4000	3400	4200
500	20"	3280	4100	3360	4200	3560	4400
600	24"	3440	4300	3520	4400	3720	4600
650	26"	3600	4500	3680	4600	3880	4800
700	28"	3760	4700	3840	4800	4040	5000
750	30"	3920	4900	4000	5000	4200	5200
800	32"	4080	5100	4160	5200	4360	5400
900	36"	4240	5300	4320	5400	4520	5600
1000	40"	4400	5500	4480	5600	4680	5800
1100	44"	4560	5700	4640	5800	4840	6000
1200	48"	5440	6800	5520	6900	5720	7100

The standard length for QB062 and QB063 is 600 mm. The length can be adjusted to fit the plant requirement.